



Easy9

Affordable circuit protection
that you can rely on

Distribution boards and
Protection devices



schneider-electric.co.in

Life Is 

Schneider
Electric

Easy9 Philosophy

Easy on eyes



Easy on mind



Easy to sell



Easy to install



Schneider Electric - The global specialist in energy management and automation brings 180 years of experience to India with more than 160,000 people in over a 100 countries



<p>We reduce energy consumed and create reliable, efficient and sustainable industrial ecosystems.</p>	<p>We reduce cost per kWh and create significant energy cost savings for your home, office, industry with our energy efficient products and solutions.</p>	<p>We reduce CO₂ footprints and create great environment in which we live, work, and play.</p>	<p>We reduce operating expenditures by at least 30% in an industrial world where energy is one of the top five largest operating budget line items.</p>	<p>We realise measurable efficiency and deliver solutions that integrate seamlessly into our environment.</p>	<p>We produce energy locally across the grid allowing India to reshape industries, transform cities, and enrich lives.</p>
--	--	---	---	---	--

Our vision is to help customers achieve more with less resources in an increasingly connected, distributed, and smart world

Schneider Electric India footprint - A top 3 energy management company in India

<p>Employee strength</p>	<p>19,500+ People</p>	<p>Industrial footprint</p>	<p>28 Factories</p>
<p>R&D focus</p>	<p>1,300+ R&D staff (based in India)</p>	<p>Channel strength</p>	<p>61,000+ Point of sales 130+ Cities and towns</p>

Easy on eyes

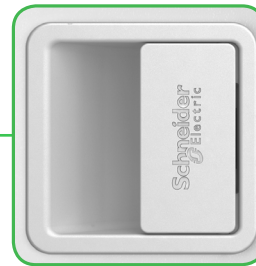


- “Personalize your DB” option available for making the DB a part of your home décor
- Attractive colour and finish - blends in with most commonly used wall shades
- Clean design of DB door - no frame visible
- Ergonomic and aesthetically pleasing door knob



Attractive colour and finish

Blends in with most commonly used wall shades



New door knob

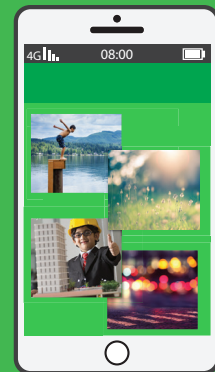
It helps to ensure reliable and easy operation



Step-1: Scan
Scan QR code or log on to the website.

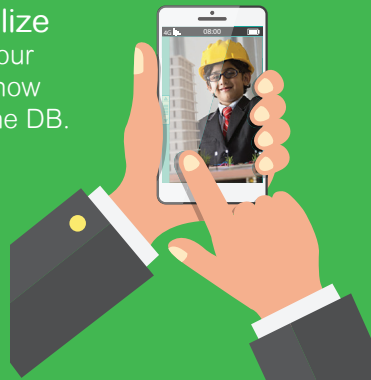
Step-2: Select

Choose from the pre-defined list of pictures (or) customize with a picture of your choice.



Step-3: Personalize

Upload picture of your choice and review how the photo look on the DB.



Step-4: Checkout

Add to cart, enter delivery address, and make payment. Get the product delivered to your door step.



Unhide your DB!



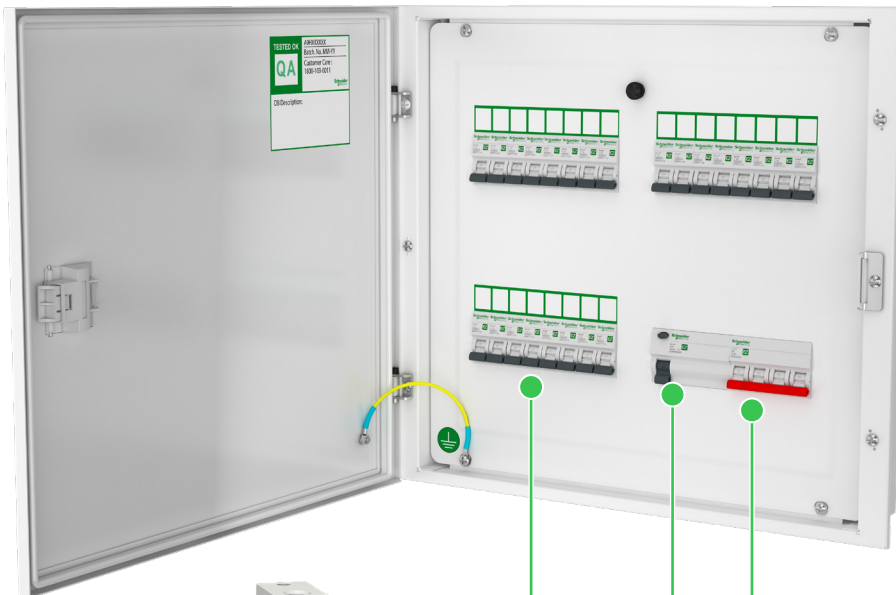
Easy on mind

- Assurance of Schneider Electric brand quality and technology promise
- Reliable protection
- Complete and protective system - Overload, short circuit and Earth leakage protection along with dedicated enclosures
- Conforming to international standards- Tested for IEC 61439 at NABL accredited laboratories and IP tested at CPRI
- IP43 and IK08 helps to ensure protection of operation and components inside
- Neutral bar insulated with plastic
- Glow wire tested



IK-08
tested

IP-30
Single door
IP-43
Double door



Trip Free Mechanism - tripping of devices is independent of knob position

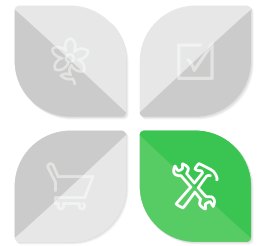


Voltage Independent RCCB - helps to ensure protection even during voltage variations or loss of neutral

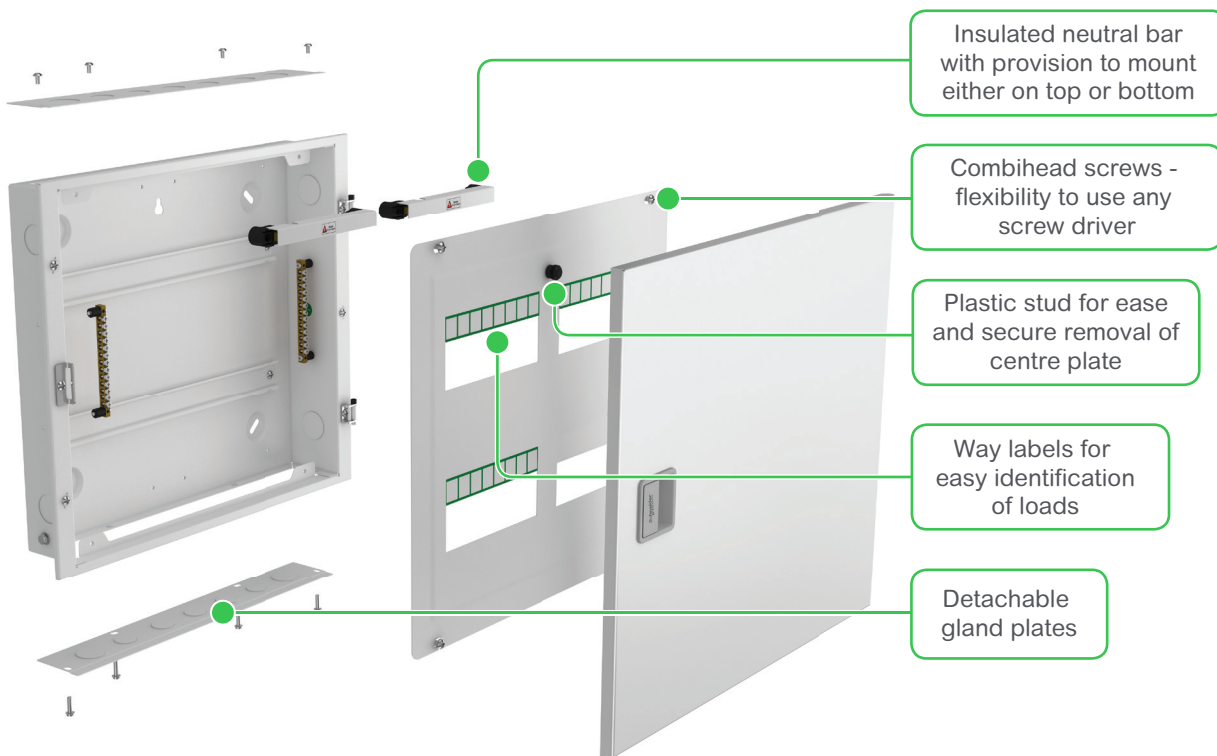


Suitable for positive isolation

Easy to install



- 3 piece architecture
- Reversibility of door, detachable gland plates, and neutral bar assembly provision on both the sides - Flexibility of installation
- Labels for fast, protective and flawless installation
- Possibility of both surface or flush mounting
- FRLS cables are crimped, sleeved, and colour coded
- Combi head screws
- Plastering guide
- Earth embossing on U Box
- Maximized wiring space



Easy to sell



- Easy to select: Comprehensive offer - Easy9 becomes a “one stop shop” for all types of installation needs
- Clean identification with new labels (more visible on the shelves)
- Easy to use: Packaging (new packaging), handle and door knob (new design)
- Cement spill protector to avoid cement deposition and subsequent chipping off which may lead to damage of surface of DB and consequent rusting
- Easily available with distributors and retailers
- Fast running stock

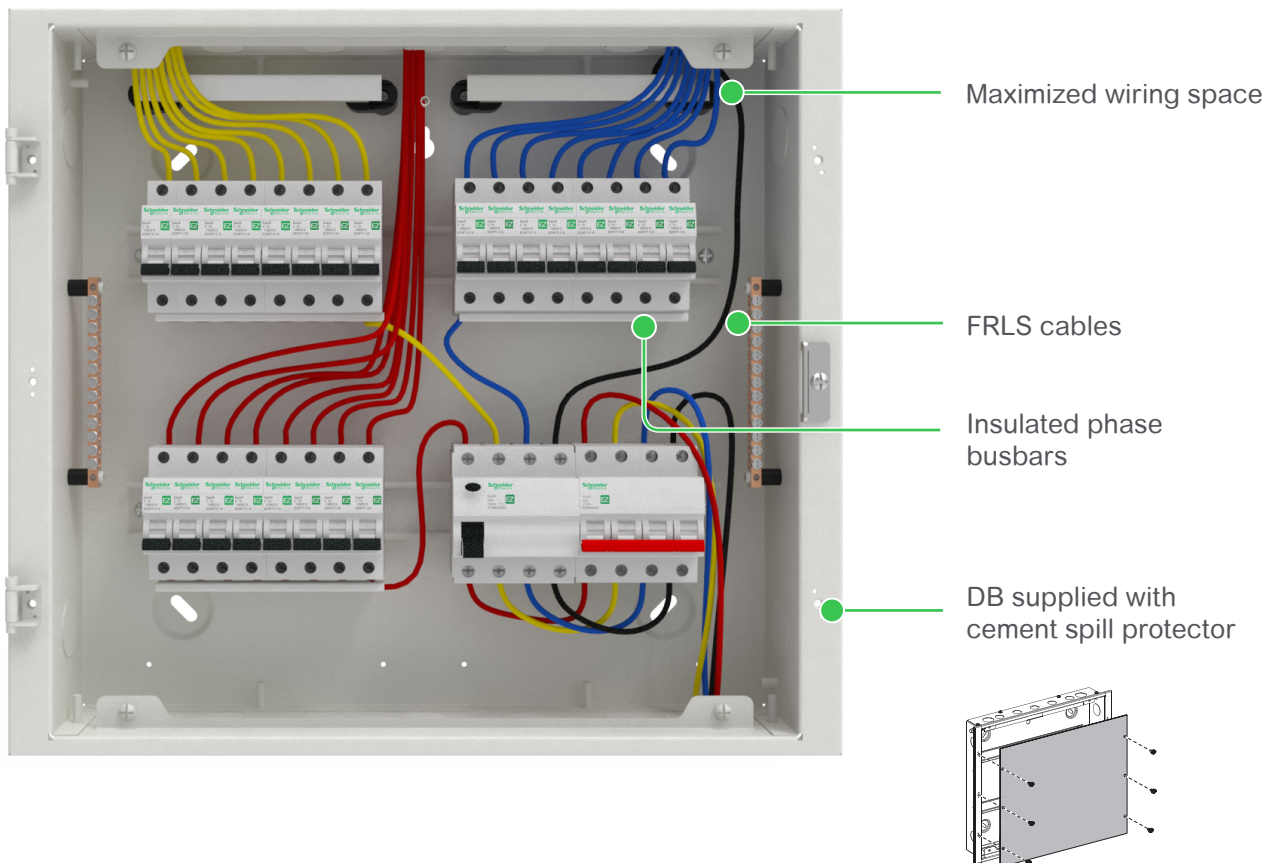


Enclosures

Easy9 DBs are perfectly adapted to their application as key links in the electrical distribution chain.

Features

- Clean and attractive colour and finish (White RAL 9003)
- Unique design of door knob for easy operation
- Compliant to IEC 61439
- IP compliant to IEC 60529
- High quality powder coating for long life and reliability under the toughest conditions
- Maximized wiring space for a clean installation
- Suitable for surface and flush mounting
- Cement spill protector helps to avoid entry of dust and cement particles
- Reversible door
- Independent centre plate
- Removable gland plates
- 45° angled hole for easy installation and 1 key hole for easy alignment
- Cement guiding mark on all four sides for easy adjustment
- Removable top and bottom gland plates
- Unique 5-hole mounting for single-person fixing
- Simple 3-piece design for quick assembly
- Combihead screws for tool flexibility



Enclosures

SPN DBs

- SPN DB for distribution of single phase neutral supply to respective load MCBs
- Number of ways ranging from 4 to 16 (including incomer)
- Current rating up to 63 A
- Voltage rating - 240 V
- Frequency - 50 Hz
- IP 43 for DD and IP 30 for SD DBs
- Short circuit breaking capacity up to 10 kA
- Incomer - DP RCCB/Isolator/MCB ??
- Outgoing - SP MCBs



Distribution Boards

Commercial Reference	Description
EZ9ESNS04	EZ9 DB 4 way SPN SD
EZ9ESNS06	EZ9 DB 6 way SPN SD
EZ9ESNS08	EZ9 DB 8 way SPN SD
EZ9ESNS12	EZ9 DB 12 way SPN SD
EZ9ESND04	EZ9 DB 4 way SPN DD
EZ9ESND06	EZ9 DB 6 way SPN DD
EZ9ESND08	EZ9 DB 8 way SPN DD
EZ9ESND10	EZ9 DB 10 way SPN DD
EZ9ESND12	EZ9 DB 12 way SPN DD
EZ9ESND16	EZ9 DB 16 way SPN DD



TPN

Functions

- Standard TPN DBs for distribution of three phase and neutral supply
- Number of ways ranging from 4 to 12
- Current rating up to 63 A
- Voltage rating - 415 V
- Frequency - 50 Hz
- IP 43 for DD and IP 30 for SD DBs
- Short circuit breaking capacity up to 10 kA
- Incomer - FP RCCB/Isolator/MCB
- Outgoing - SP MCBs



Distribution Boards

Commercial Reference	Description
EZ9ETNS04	EZ9 DB 4 way TPN SD
EZ9ETNS06	EZ9 DB 6 way TPN SD
EZ9ETNS08	EZ9 DB 8 way TPN SD
EZ9ETND04E	EZ9 DB 4 way TPN DD l/c- 4 modules
EZ9ETND04	EZ9 DB 4 way TPN DD
EZ9ETND06	EZ9 DB 6 way TPN DD
EZ9ETND08	EZ9 DB 8 way TPN DD
EZ9ETND12	EZ9 DB 12 way TPN DD



Enclosures

VTPN DBs

- Ideal solution to distribute power supply to the 3-phase and 1-phase loads in the same DB
- Number of ways ranging from 4 to 12
- Current rating - 100 A
- Voltage rating - 415 V
- Frequency - 50 Hz
- IP 43
- Short circuit withstand capacity of 17 kA for 0.2 seconds
- Incomer - TP EasyPact EZC MCCB
- Outgoing - SP MCBs/TP MCBs

Distribution Boards

Commercial Reference	Description
EZ9EVT04	EZ9 DB 4 way VTPN DD I/c-MCCB 100 A
EZ9EVT08	EZ9 DB 8 way VTPN DD I/c-MCCB 100 A
EZ9EVT12	EZ9 DB 12 way VTPN DD I/c-MCCB 100 A



Phase Selector DBs

- PS DBs for switching independently between the 3-phases
- Independent switch assembly in Phase Selector DBs for mounting and maintenance flexibility
- Switchable indicator lights in Phase Selector DBs for power saving
- Number of ways ranging from 4 to 8
- Configuration - horizontal and vertical selector switch
- Incomer current rating up to 63 A
- Selector switch - 40 A and 63 A
- Voltage rating - 415 V
- Frequency - 50 Hz
- IP 43
- Short circuit breaking capacity up to 10 kA
- Incomer - FP RCCB/Isolator/MCB
- Outgoing - SP MCBs



Distribution Boards

Commercial Reference	Description
EZ9EPVD04	EZ9 DB 4 way phase selector DD vertical
EZ9EPVD06	EZ9 DB 6 way phase selector DD vertical
EZ9EPVD08	EZ9 DB 8 way phase selector DD vertical
EZ9EPHD04	EZ9 DB 4 way phase selector DD horizontal
EZ9EPHD06	EZ9 DB 6 way phase selector DD horizontal
EZ9EPHD08	EZ9 DB 8 way phase selector DD horizontal

Selector switches

Commercial Reference	Description
EZ9EPS40S	EZ9 DB 40A pre-assembled selector switch
EZ9EPS63S	EZ9 DB 63A pre-assembled selector switch



Metal Enclosures

- Metal enclosure to mount individual modular device feeding directly to the load or final distribution board
- Number of modules - 2 and 4
- Current rating up to 63 A
- Voltage rating - 240/415 V
- Frequency - 50 Hz
- IP 30
- Short circuit breaking capacity up to 10 kA



Enclosures

Commercial Reference	Description
EZ9EMES02	EZ9 Enclosure 2 modules
EZ9EMES04	EZ9 Enclosure 4 modules

Plug and Socket Units

- Enclosure supplied with Electra metal plug and socket, and provision to mount the modular protection device to feed directly to the end load
- Number of modules - 2 and 3
- Number of pins - 1P+N+E and 3P+E
- Voltage rating - 240/415 V
- Frequency - 50 Hz
- IP 30
- Short circuit breaking capacity up to 10 kA



P&S Units

Commercial Reference	Description
EZ9EMS210	EZ9 Metal P&S Unit 10 A 1P+N+E 2 modules
EZ9EMS220	EZ9 Metal P&S Unit 20 A 1P+N+E 2 modules
EZ9EMS320	EZ9 Metal P&S Unit 20 A 3P+E 3 modules
EZ9EMS330	EZ9 Metal P&S Unit 30 A 3P+E 3 modules



Protection Devices



Miniature Circuit Breaker (MCB)

- ISI/CE marked as per IS/IEC 60898-1
- 10 kA breaking capacity
- B and C tripping curves
- 1 Pole to 4 Pole
- 6 to 63 A current rating
- Suitable for positive isolation
- Operating voltage 240 V/415 V
- Frequency 50 Hz



Easy9 Biconnect MCB India Offer

Breaking Capacity 10000 A

Type	1P	2P	3P	4P
Auxiliaries	Without auxiliaries			
Rating (In)	Curve	Curve	Curve	Curve
	B	C	B	C
1 A	-	EZ9F71101	-	EZ9F71201
2 A	-	EZ9F71102	-	EZ9F71202
3 A	-	EZ9F71103	-	EZ9F71203
4 A	-	EZ9F71104	-	EZ9F71204
6 A	EZ9F21106	EZ9F71106	EZ9F21206	EZ9F71206
10 A	EZ9F21110	EZ9F71110	EZ9F21210	EZ9F71210
16 A	EZ9F21116	EZ9F71116	EZ9F21216	EZ9F71216
20 A	EZ9F21120	EZ9F71120	EZ9F21220	EZ9F71220
25 A	EZ9F21125	EZ9F71125	EZ9F21225	EZ9F71225
32 A	EZ9F21132	EZ9F71132	EZ9F21232	EZ9F71232
40 A	EZ9F21140	EZ9F71140	EZ9F21240	EZ9F71240
50 A	EZ9F21150	EZ9F71150	EZ9F21250	EZ9F71250
63 A	EZ9F21163	EZ9F71163	EZ9F21263	EZ9F71263

Breaking Capacity 6000 A

Type	1P	2P	3P	4P
Auxiliaries	Without auxiliaries			
Rating (In)	Curve	Curve	Curve	Curve
	C	C	C	C
6 A	EZ9F76106	EZ9F76206	EZ9F76306	EZ9F76406
10 A	EZ9F76110	EZ9F76210	EZ9F76310	EZ9F76410
16 A	EZ9F76116	EZ9F76216	EZ9F76316	EZ9F76416
20 A	EZ9F76120	EZ9F76220	EZ9F76320	EZ9F76420
25 A	EZ9F76125	EZ9F76225	EZ9F76325	EZ9F76425
32 A	EZ9F76132	EZ9F76232	EZ9F76332	EZ9F76432
40 A	EZ9F76140	EZ9F76240	EZ9F76340	EZ9F76440

Residual Current Circuit Breaker (RCCB)

- ISI/CE marked as per IS/IEC 61008-1
- 2 Pole and 4 Pole
- 25 A, 40 A, and 63 A current rating
- 30 mA, 100 mA, and 300 mA sensitivity
- Suitable for positive isolation
- Operating voltage 240 V/415 V
- Frequency 50 Hz



Easy9 Biconnect RCCB India Offer

Type	AC~			Width in 18 mm modules	
2P	Sensitivity	30 mA	100 mA	300 mA	2
	Rating				
	25 A	EZ9R35225	EZ9R55225	EZ9R65225	
	40 A	EZ9R35240	EZ9R55240	EZ9R65240	
63 A	EZ9R35263	EZ9R55263	EZ9R65263		
4P	Sensitivity	30 mA	100 mA	300 mA	4
	Rating				
	25 A	EZ9R35425	EZ9R55425	EZ9R65425	
	40 A	EZ9R35440	EZ9R55440	EZ9R65440	
63 A	EZ9R35463	EZ9R55463	EZ9R65463		

Isolator

- CE marked, AC-22 A, conforms to IEC 60947-3
- 2 Pole, 3 Pole, and 4 Pole
- 40 A, 63 A, and 80 A* current rating
- Suitable for positive isolation
- Operating voltage 240 V/415 V
- Frequency 50 Hz



Easy9 Biconnect Isolator India Offer

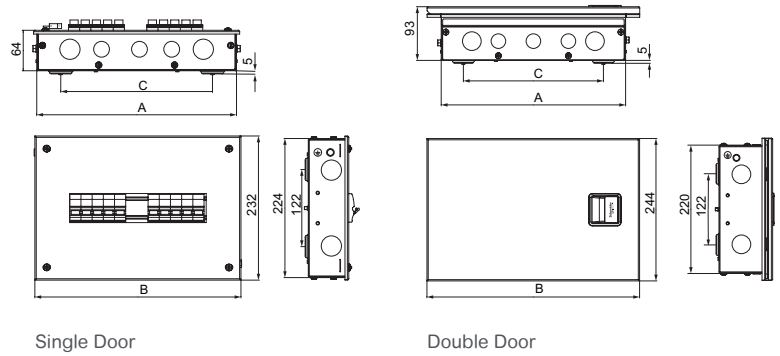
Type	AC~		Width in 18 mm modules
1P	Rating (In)	Voltage (Ue)	
	40 A	240 V	EZ9S66140 1
	63 A	240 V	EZ9S66163
2P	40 A	415 V	EZ9S66240 2
	63 A	415 V	EZ9S66263
	80 A	415 V	EZ9S66280
3P	40 A	415 V	EZ9S66340 3
	63 A	415 V	EZ9S66363
4P	40 A	415 V	EZ9S66440 4
	63 A	415 V	EZ9S66463
	80 A	415 V	EZ9S66480



Dimension Details

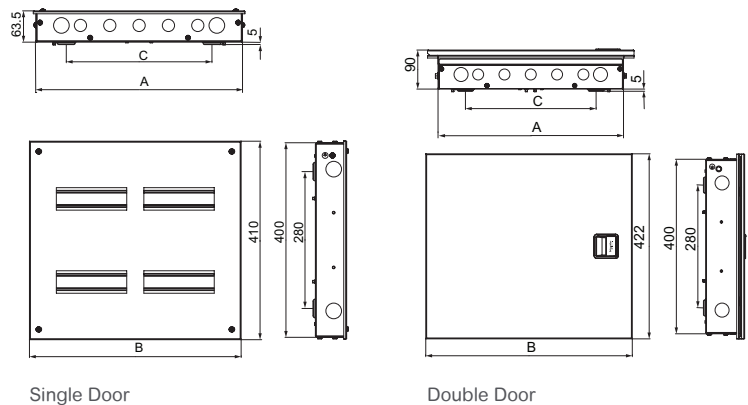
SPN

Distribution Boards			
Commercial Reference	A	B	C
EZ9ESNS04	172	182	96
EZ9ESNS06	208	218	132
EZ9ESNS08	244	254	168
EZ9ESNS12	316	326	240
EZ9ESND04	172	221	96
EZ9ESND06	208	257	132
EZ9ESND08	244	293	168
EZ9ESND10	280	329	220
EZ9ESND12	316	365	240
EZ9ESND16	388	437	292



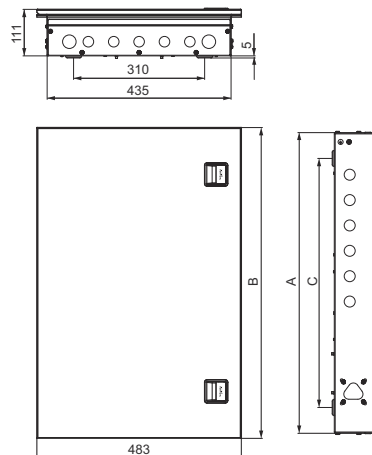
TPN

Distribution Boards			
Commercial Reference	A	B	C
EZ9ETNS04	351	361	226
EZ9ETNS06	387	397	262
EZ9ETNS08	423	433	298
EZ9ETND04E	279	328	154
EZ9ETND04	351	400	226
EZ9ETND06	387	435	262
EZ9ETND08	423	471	298
EZ9ETND12	577	625	452



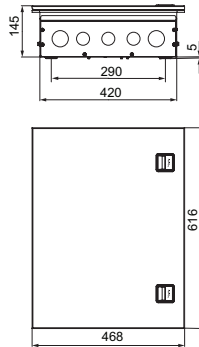
VTPN

Distribution Boards			
Commercial Reference	A	B	C
EZ9EVTD04	495	518	376
EZ9EVTD08	602	625	483
EZ9EVTD12	709	731	589

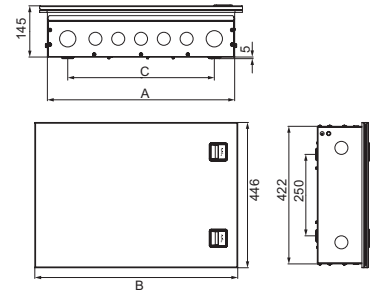


Phase Selector

Distribution Boards			
Commercial Reference	A	B	C
EZ9EPVD04	-	-	-
EZ9EPVD06	-	-	-
EZ9EPVD08	-	-	-
EZ9EPHD04	503	551	378
EZ9EPHD06	539	587	414
EZ9EPHD08	575	623	450



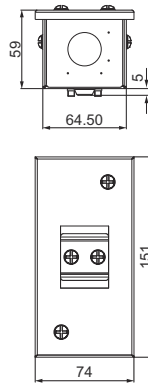
Vertical Phase Selector



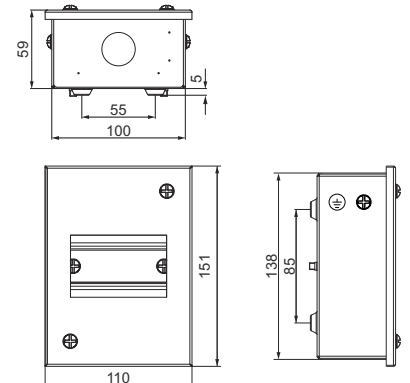
Horizontal Phase Selector

Metal Enclosures

Enclosures	
Commercial Reference	No. of Modules
EZ9EMES02	2
EZ9EMES04	4



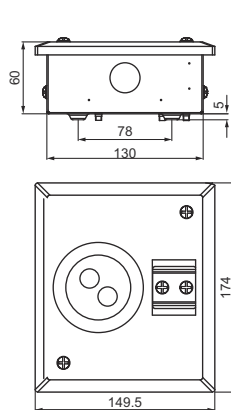
2 Module



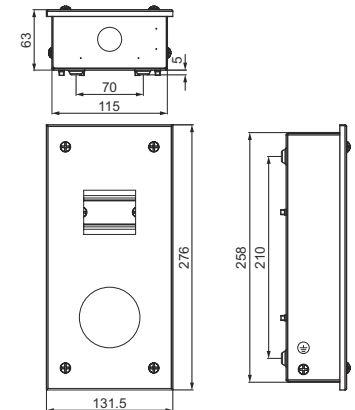
4 Module

Plug and Socket Units

P and S Units	
Commercial Reference	No. of Modules
EZ9EMS210	2
EZ9EMS220	2
EZ9EMS320	3
EZ9EMS330	3



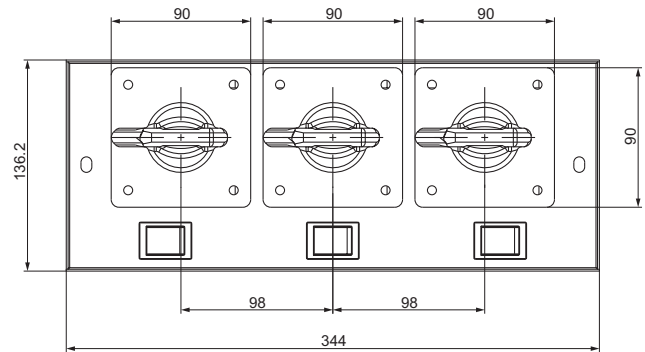
2 Module



3 Module

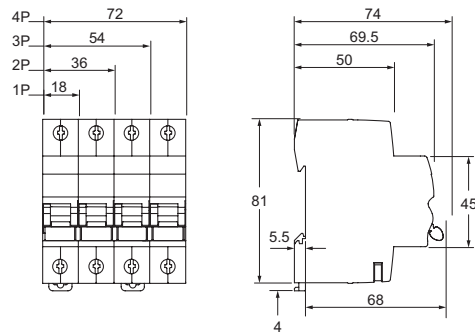
Selector Switches

Selector switches	
Commercial Reference	Description
EZ9EPS40S	EZ9 DB 40A pre-assembled selector switch
EZ9EPS63S	EZ9 DB 63A pre-assembled selector switch



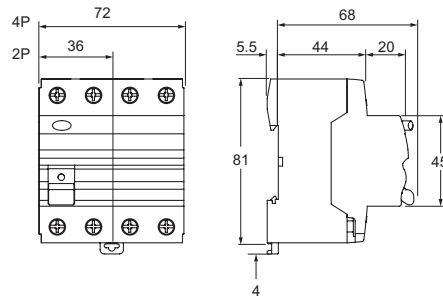
Miniature Circuit Breakers

Weight (g)	
Type	Easy9 Biconnect
1P	120
2P	240
3P	360
4P	480



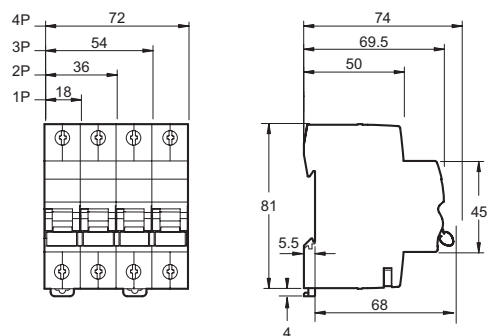
Residual Current Circuit Breakers

Weight (g)	
Type	Easy9 Biconnect
2P	180
4P	350



Isolator

Weight (g)	
Type	Easy9 Biconnect
1P	120
2P	240
3P	360
4P	480





Green Premium™

Endorsing eco-friendly products in the industry



Green Premium™ Product

Green Premium is the only label that allows you to effectively develop and promote an environmental policy whilst preserving your business efficiency. This ecolabel guarantees compliance with up-to-date environmental regulations, but it does more than this.

Over 75 % of Schneider Electric manufactured products have been awarded the Green Premium ecolabel



Discover what we mean by green

Check your products!

Schneider Electric's Green Premium ecolabel is committed to offering transparency, by disclosing extensive and reliable information related to the environmental impact of its products:

RoHS

Schneider Electric products are subject to RoHS requirements at a worldwide level, even for the many products that are not required to comply with the terms of the regulation. Compliance certificates are available for products that fulfil the criteria of this European initiative, which aims to eliminate hazardous substances.

REACH

Schneider Electric applies the strict REACH regulation on its products at a worldwide level, and discloses extensive information concerning the presence of SVHC (Substances of Very High Concern) in all of these products.

PEP: Product Environmental Profile

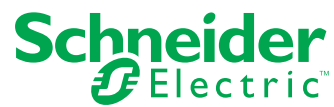
Schneider Electric publishes complete set of environmental data, including carbon footprint and energy consumption data for each of the lifecycle phases on all of its products, in compliance with the ISO 14025 PEP ecopassport program. PEP is especially useful for monitoring, controlling, saving energy, and/or reducing carbon emissions.

EoLI: End of Life Instructions

Available at the click of a button, these instructions provide:

- Recyclability rates for Schneider Electric products.
- Guidance to mitigate personnel hazards during the dismantling of products and before recycling operations.
- Parts identification for recycling or for selective treatment, to mitigate environmental hazards/ incompatibility with standard recycling processes.

Life Is On



schneider-electric.co.in

Schneider Electric India Pvt. Ltd.

Corporate office:

9th floor, DLF Building No. 10,
Tower C, DLF Cyber City, Phase II,
Gurgaon - 122002, Haryana.

Tel: 0124 3940400, Fax: 0124 4222036

Customer Care Centre:

Toll-free numbers: 1800 425 4272, 1800 103 0011

General number: 0124 4222 040

Email: in.campaign@schneider-electric.com